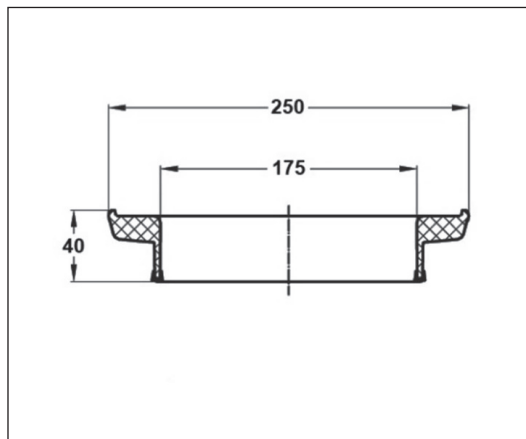


AKASISON EMERGENCY RISER ELEMENT 40 MM

ARTICLE NUMBER: 74 75 90



According to EN1253

To be used in combination with the Akasison XL75 roof outlets, for Akasison siphonic roof drainage systems.

Delivery includes: Seal
Positioning of leaf guard
Extension bolt to fix the leaf guard

Material: Stainless steel, EPDM, ASA (UV-stabilized).

Weight: 0.5 kg

Capacity according to EN 1253

Water level	45 mm	50 mm	55 mm	60 mm	65 mm	75 mm	85 mm	90 mm
Capacity [l/s]	0,25	1,13	2,00	3,85	5,70	11,50	17,40	17,40

Packaging: 1 piece

Discount group: AD

Date: 04.2016